

SL2302

TRESTLE FLOOR STAND

ASSEMBLY



TRESTLE STAND WITH FLIP LOOM



Find out more at [schachtspindle.com](https://www.schachtspindle.com)
Schacht Spindle Company 6101 Ben Place Boulder, CO 80301
303.442.3212

© 2022 Schacht Spindle Company, Inc.

PARTS INCLUDED

- 2X uprights
- 2X bases
- 2X adjuster bars
- 2X cross braces
- 2X 1/4-20 x 3-1/2" Phillips truss head machine screws
- 2X 1/4-20 x 2-1/2" Phillips truss head machine screws
- 2X 1/4-20 x 2" Phillips truss head machine screws
- 2X 1/4-20 x 2-1/2" carriage bolts
- 4X 1/4-20 barrel nuts
- 2X 1/4-20 wing nuts
- 2X 1/4" washers
- 2X 1/4" fender washers
- 2X 3/4" nylon spacers
- 2X round knobs with 1-1/4" shafts
- 2X round knobs with 2" shafts

Hardware not shown to scale. Stand hardware is included for Flip looms only. If you want to install an original Tapestry Loom or a non-folding rigid heddle loom, contact Schacht for hardware availability. The non-folding rigid heddle loom will also require an insert kit.

BEFORE YOU START

Flip looms built before late February 2010 do not have a threaded insert in the loom sides (Figure 1). Contact your dealer or Schacht for an insert kit and instructions.

ATTACH CROSS BRACES TO BASES

- Orient both bases with the large holes facing each other (Figure 2).
- Orient the cross braces with the flat ends facing inward, as shown in Figure 2.
- Insert a 1/4-20 barrel nut into the hole closest to the tenoned end of a cross brace. Using a 1/4-20 x 2-1/2" Phillips truss head machine screw, attach the base to the cross brace as shown in Figure 2. Repeat with the other base and cross brace.

TOOLS NEEDED

#2 Phillips screwdriver

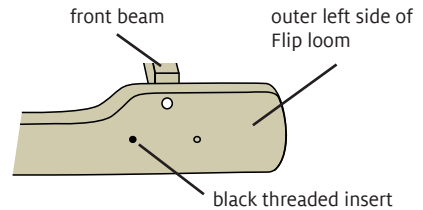
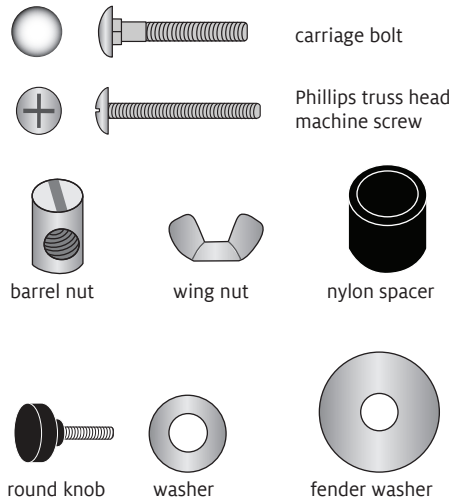


FIGURE 1: CHECK FOR BLACK THREADED INSERT

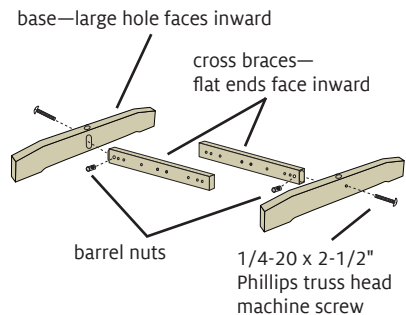


FIGURE 2: ATTACH CROSS BRACES TO BASES

ATTACH UPRIGHTS TO BASES

Keep the left cross brace in front and positioned as shown in the figures.

- Orient uprights with the narrow slots at the top and facing each other (Figure 3).
- Working from the underside of each base, use 1/4-20 x 3-1/2" Phillips truss head machine screws and barrel nuts to attach the uprights to the bases.

ATTACH ADJUSTER BARS TO UPRIGHTS

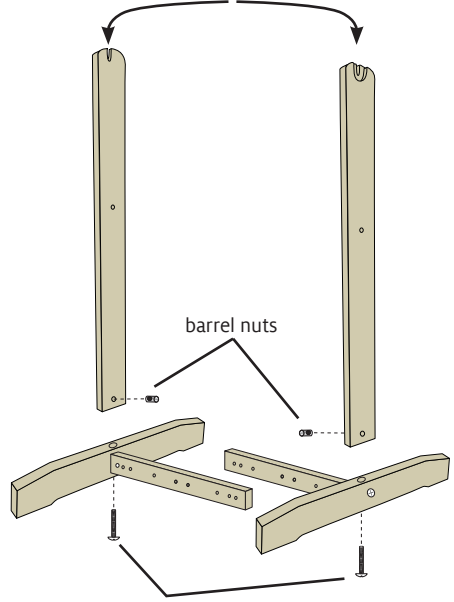
- Place a 1/4" fender washer on a round knob with a 1-1/4" shaft.
- Insert the knob into the long slot on the adjuster bar (Figure 4).
- With the adjuster bar on the outside of the stand, fasten the knob into the threaded insert in the stand upright.
- Repeat for the other adjuster bar.

PLACE THE LOOM ON THE STAND

Keep the left cross brace in front and positioned as shown in the figures.

- Unscrew the T-knobs on your Flip loom about half an inch.
- Slide the T-knobs into the slots in the tops of the uprights (Figure 5).
- If the shaft on the T-knob is not long enough to place the loom on the stand, remove it and replace it with a 1/4-20 x 2-1/2" carriage bolt. Be sure to orient the square head of the carriage bolt with the hole in the loom side.

uprights—wide slots face outward & narrow slots face inward



1/4-20 x 3-1/2" Phillips truss head machine screws

FIGURE 3: ATTACH UPRIGHTS TO BASES

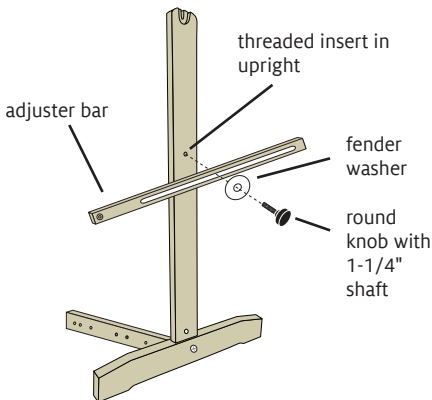


FIGURE 4: ATTACH ADJUSTER BARS TO THE UPRIGHTS

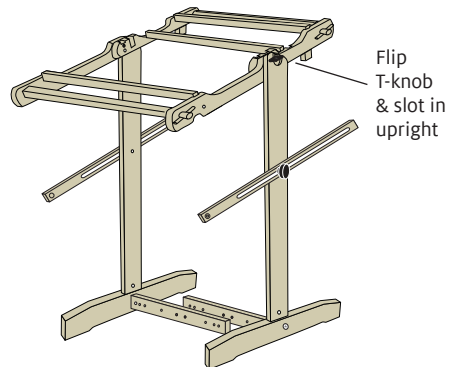


FIGURE 5: PLACE LOOM ON THE STAND

SECURE THE LOOM

Tighten the T-knobs so that the loom is secure but can still swivel on the uprights.

ATTACH ADJUSTER BARS TO LOOM

- Push a round knob with a 2" shaft through the hole in the adjuster bar (Figure 6).
- Place a 3/4" nylon spacer on the shaft of the knob.
- Fasten the knob into the insert in the side of the loom, just behind the cloth beam.
- Repeat for the other adjuster bar.

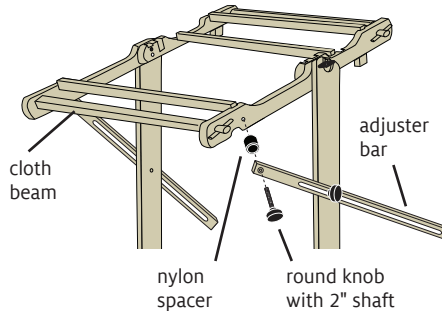


FIGURE 6: ATTACH ADJUSTER BARS TO THE LOOM

SECURE THE CROSS BRACES

- Locate 2 holes that align in the cross braces. You can use any holes on the cross braces as long as the screws go through both braces.
- Keeping the left cross brace in front of the right cross brace, insert 1/4-20 x 2" Phillips truss head machine screws through the cross braces. On the back of the cross braces, place a 1/4" washer on the screw and secure with a wing nut (Figure 7).

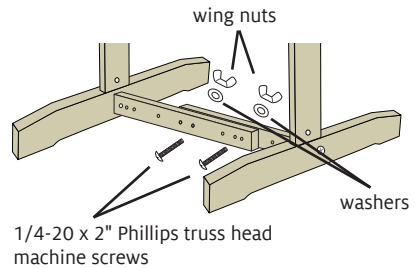


FIGURE 7: SECURE CROSS BRACES

To reposition the loom, slightly loosen the round knobs on the uprights. Position the loom as desired and retighten knobs. ■



Visit our website for weaving accessories, project ideas, and videos.