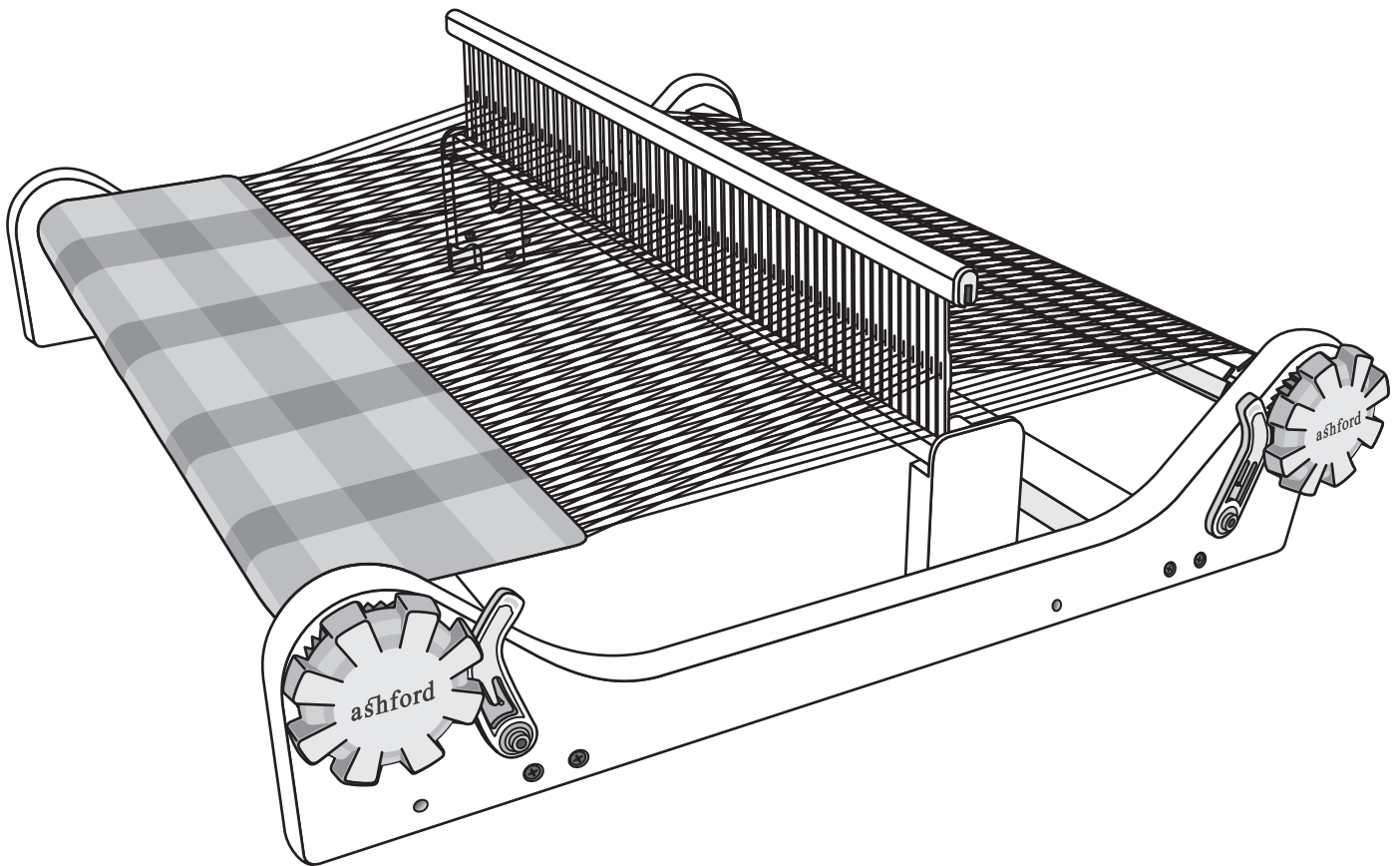


ASHFORD RIGID HEDDLE LOOM

40cm (16"), 60cm (24"), 80cm (32"), 120cm (48")

With double heddle support blocks and built in warping frame



RH030820V15

ASSEMBLY INSTRUCTIONS FOR ASHFORD RIGID HEDDLE LOOM

Before commencing, please read the instructions completely, identify the parts and note the assembly sequence. Use the sandpaper supplied to remove any sharp edges and corners.

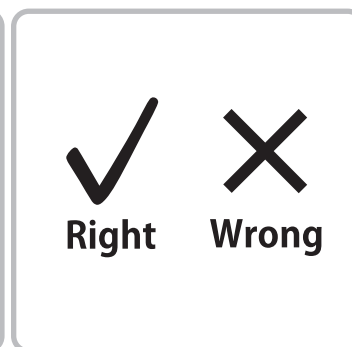
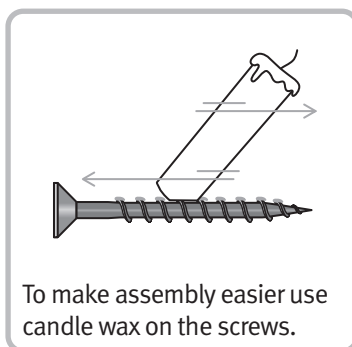
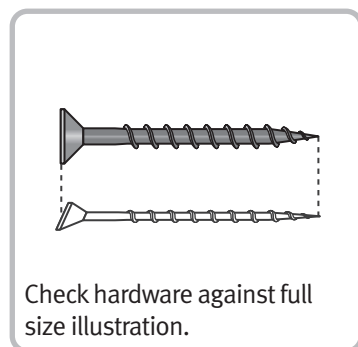
We recommend that the wood surfaces be waxed or sealed before assembly. This protects the kiln dried wood from climatic changes and prevents it getting dirty or stained. The Silver Beech tree is a native of New Zealand and has a lovely variety of colour and grain. For a silky smooth matt finish, use the Ashford Wax Polish to enhance the natural colours and character of this timber.

Tools Required

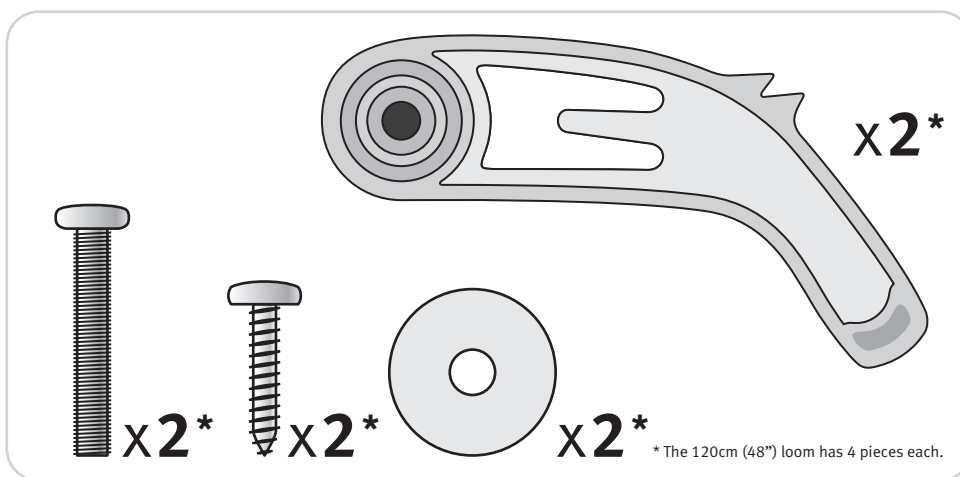


IMPORTANT: Before you begin, please remove the small wooden blocks on the clicker pins. These are for packaging protection only.

Hints



Real Scale Hardware List



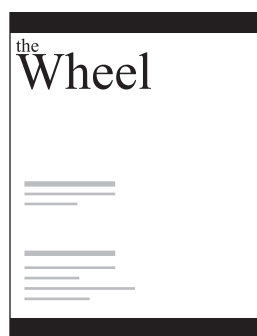
More Information



How-to videos on You Tube
Watch our how-to videos on You Tube.
www.youtube.com/user/AshfordHandicrafts



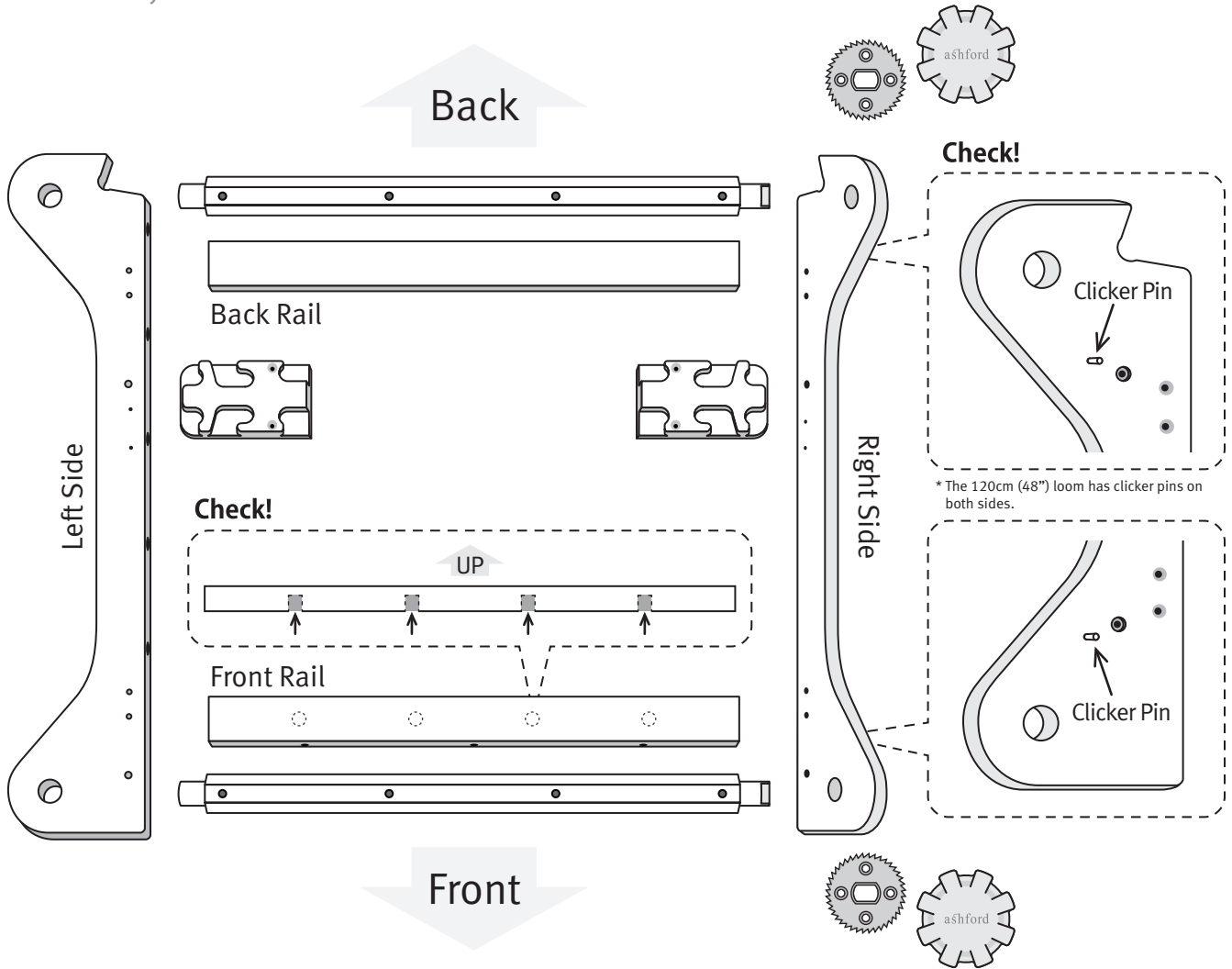
Facebook
Join us on facebook.
www.facebook.com/ashford.wheels.loom



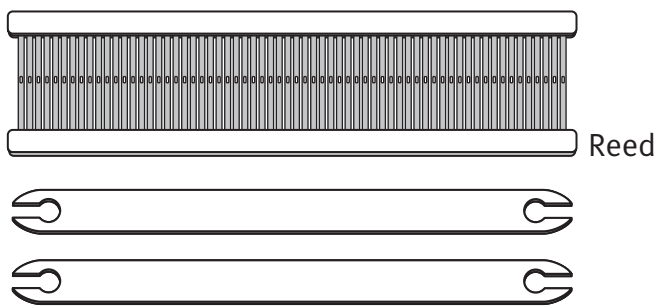
The Wheel Magazine
Ashford's annual fibrecraft magazine. Spinning, weaving, felting, dyeing and knitting projects, patterns and articles from around the world. To receive the premium version delivered to you, subscribe at:
www.ashford.co.nz/subscribe

Parts List

Loom Body

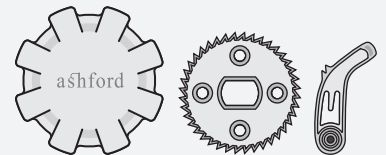


Weaving Parts

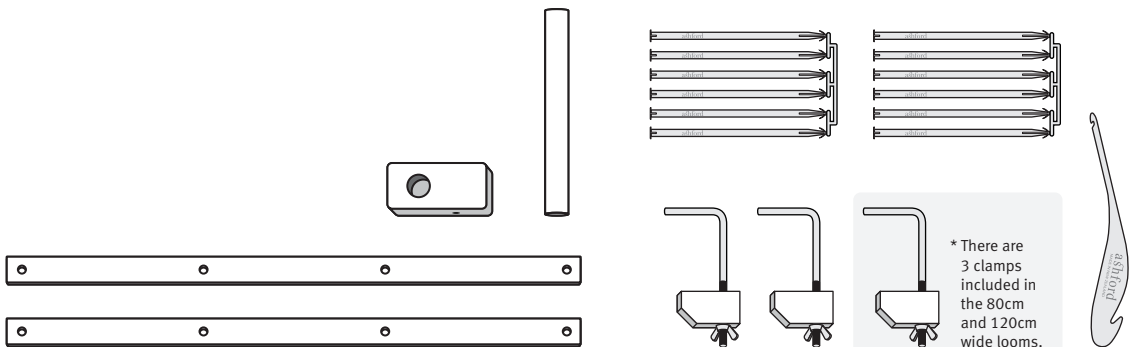


120cm (48") wide loom

The 120cm (48") loom has clicker pins, pawls, cogs and handles fitted to both sides of the loom. This helps equalize the tension across the width of the loom.

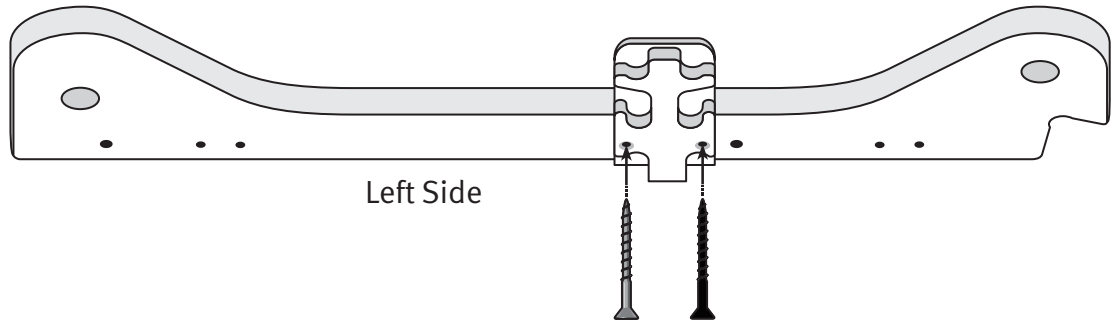


Warping Parts

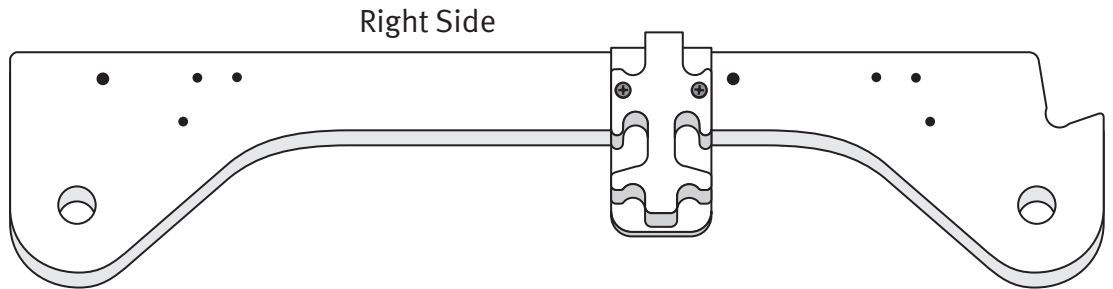




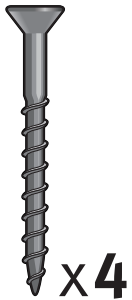
Attach the reed support blocks to the sides with 38mm (1½”) screws.



Left Side

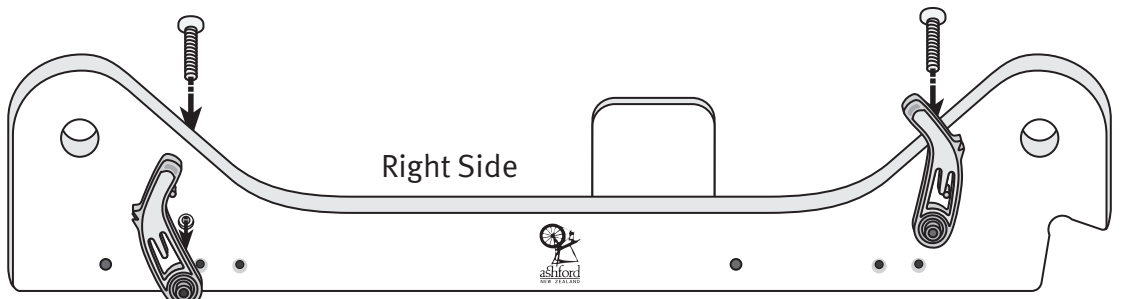
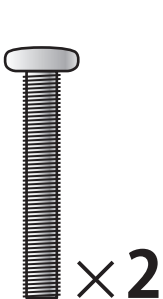
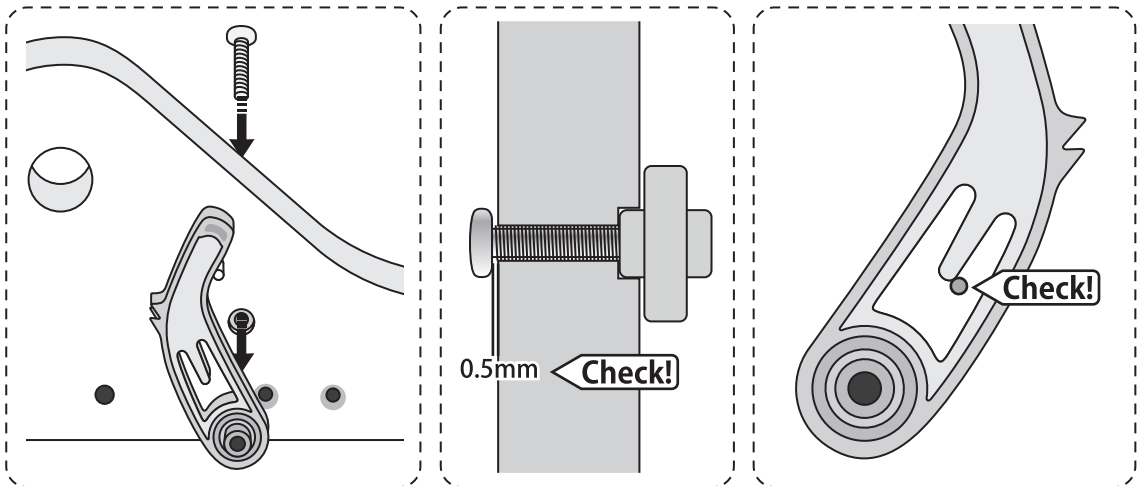


Right Side



Attach the 2 pawls to the loom side from the inside with 30mm (1¼”) bolts. NOTE the “clicker pin” fits into the gap in the pawl. Take care to ensure the “clicker pin” does not damage your table. Rub a little candle wax on the thread to make assembly easier. Leave 0.5mm (1/32”) gap under the head of the bolt. DON'T over tighten. The pawl should move freely and “Click” as it snaps past the pin.

Check!

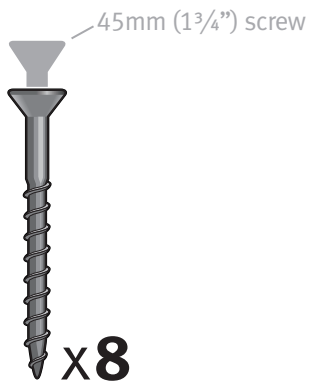


Right Side

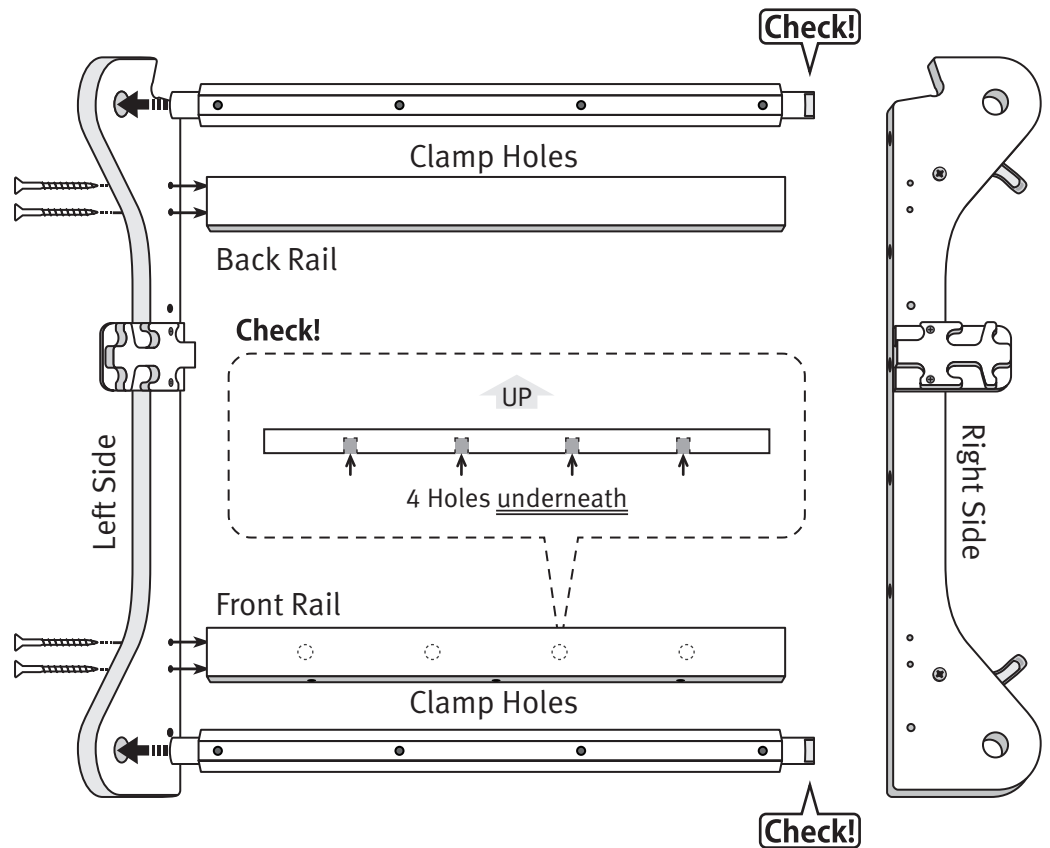
120cm (48”) wide loom: The 120cm (48”) loom has clicker pins, pawls, cogs and handles fitted to both sides of the loom. This helps equalize the tension across the width of the loom. Please follow Steps 2, 4 and 5 when assembling this loom.



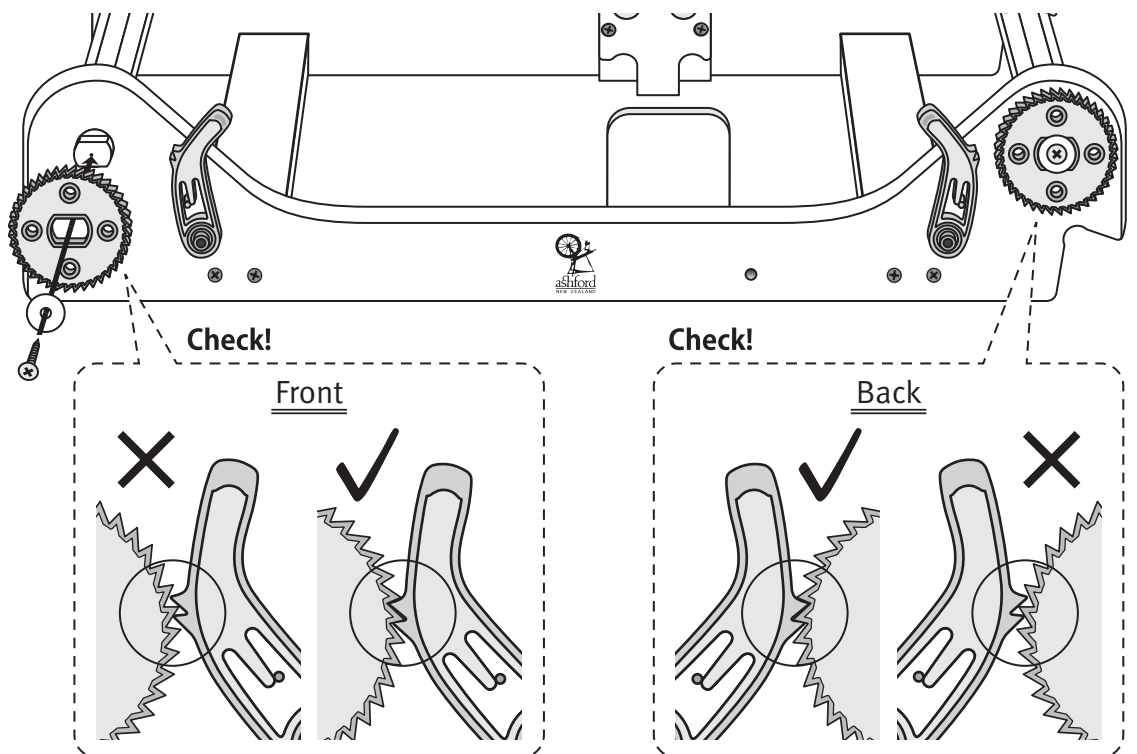
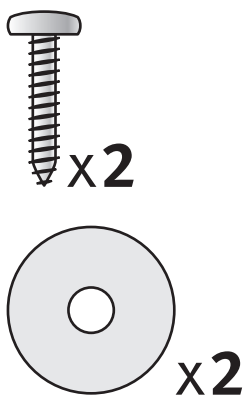
Attach the front rail (The front rail has 4 holes underneath for warping pegs) and back rail to the left side with 38mm (1½”) screws. The clamp holes on the edge of the front rail should face to the the front of the loom, the clamp holes on the edge of the back rail should face towards the back. Rub candle wax over both ends of the front and back roller, then insert the short end of the rollers into the holes in the left side. Insert the long ends of the rollers into the right side and attach to the front and back rails with 38mm (1½”) screws.



120cm (48”) wide loom:
Use the 45mm (1¾”) screws.



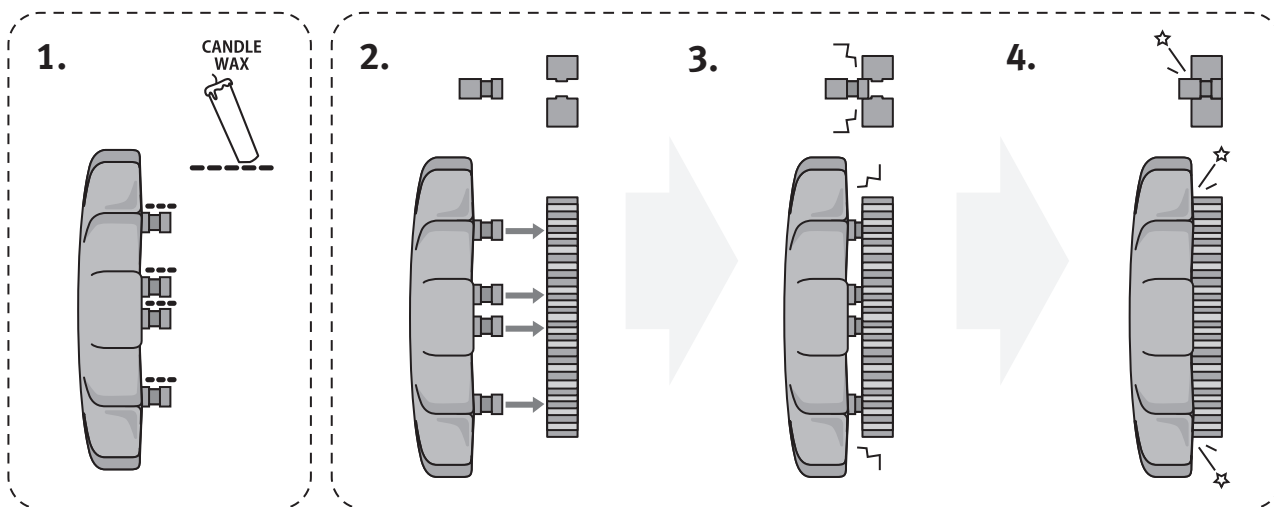
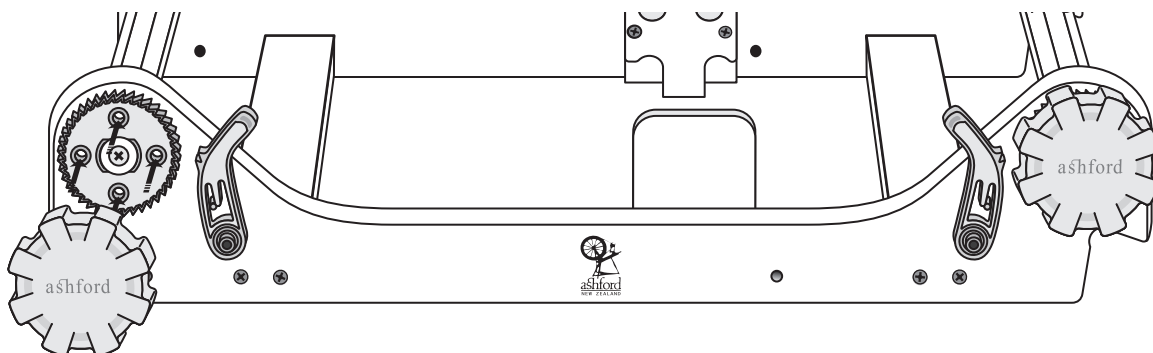
Place the cogs onto the ends of the rollers. **Check the teeth engage the pawls.** THEN secure with washers and 25mm (1”) screws.



5



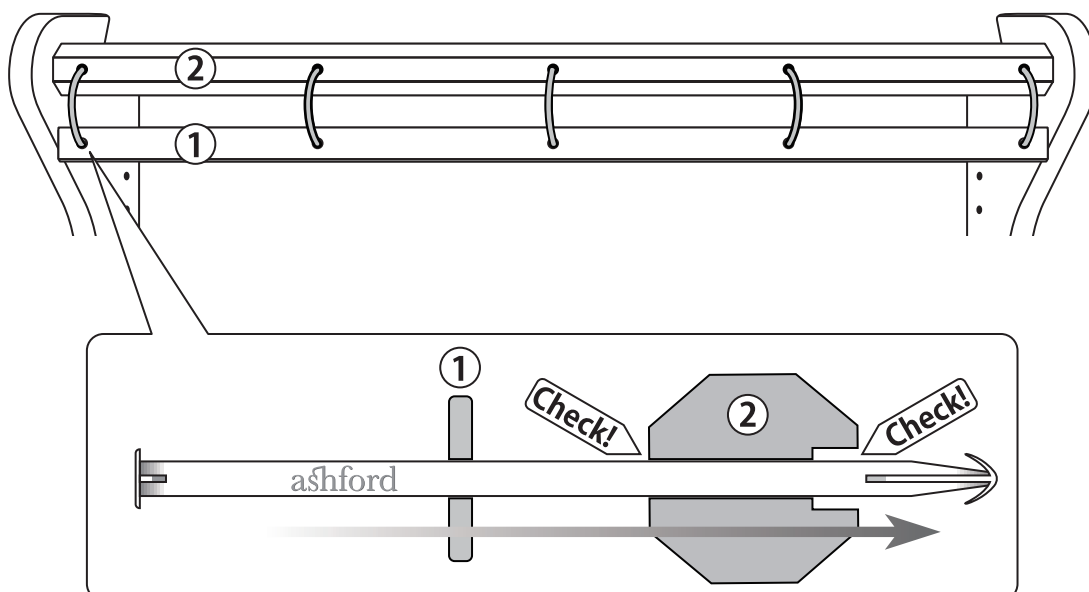
Rub candle wax on to the 4 pins on the handles. Then locate the 4 pins on the handles into the 4 holes in the cogs. Then give the handles a sharp hit with your fist so they snap down tight onto the cogs.



When weaving - to release the warp tension to advance the warp, turn the handle slightly & then lift the pawl out of the teeth.

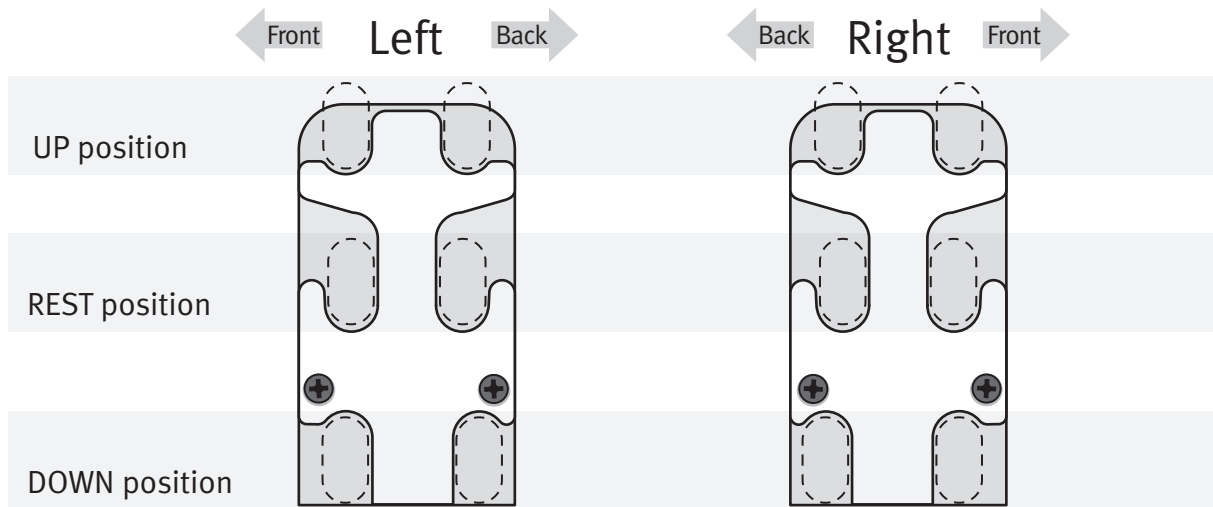
6

Connect the warp sticks to the roller with the warp stick ties. First push the arrow head through the warp stick. Then push the arrow head into the small hole in the roller and out the large hole as illustrated.



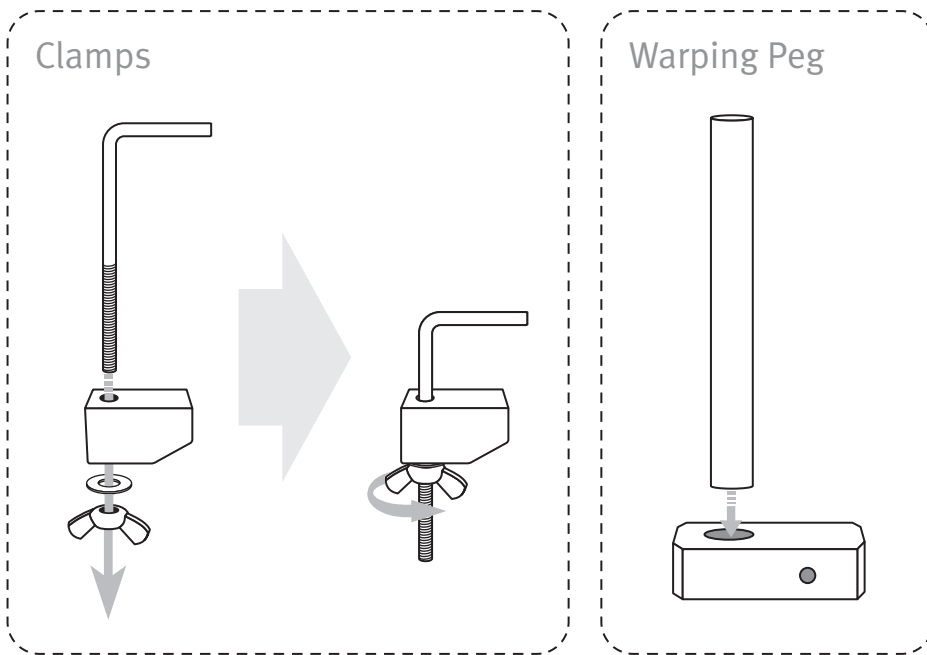
7

Locate the reed into the rest position of the reed support blocks.



8

Assemble the warping peg and clamps.



Now follow the easy step-by-step warping instructions in the “Learn to Weave on the Rigid Heddle Loom” booklet.

In case you want to make warps the traditional way, we have pre-drilled 14 holes in the underside of your loom. To use them simply order a set of warping pegs from your local Ashford Dealer.

Loom size	Approx. Warp length
40cm / 16”	4.70m / 15’
60cm / 24”	6.70m / 22’
80cm / 32”	8.70m / 28’
120cm / 48”	12.70m / 41’

Happy Weaving!